



Item No.: NT9003

Description: Pedal Off-Road

Dimension: 870(L) x 400(W) x 560(H) mm

34.25(L) x 15.75(W) x 22.05(H) inch

Carton Size: 920(L) x 420(W) x 390(H) mm $\approx 0.1507 \text{ m}^3$

36.22(L) x 16.54(W) x 15.35(H) inch $\approx 5.32 \text{ ft}^3$

Net Weight: 9.5 KGS

Carrying Weight: 50 KGS

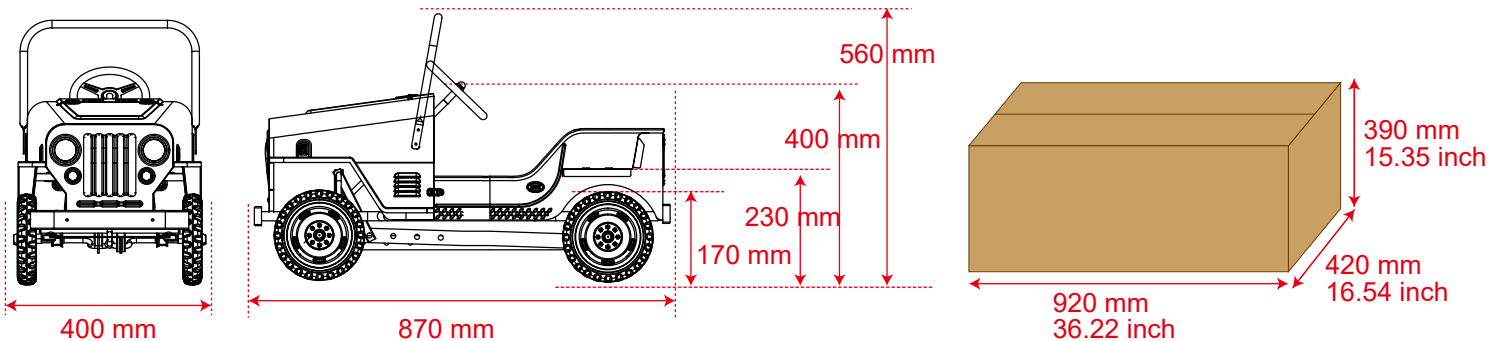
Case Pack: 1 PC per CTN

Age: 3+

**Container Loading
Quantity**

20'GP: 190 PCS

40'HQ: 450 PCS



Available Models



NT9003010



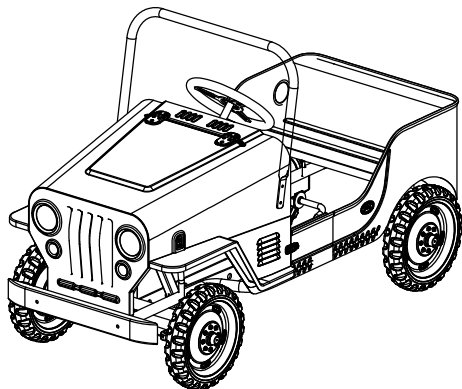
NT9003040



NT9003160



NT9004050



**Customised Designs
Are Welcome**