



Item No.: NT7001

Description: Kids Steel Wagon

Dimension: 680(L) x 400(W) x 580(H) mm

26.77(L) x 15.75(W) x 22.83(H) inch

Tray Size: Outer 600(L) x 390(W) x 95(H) mm

Inner 560(L) x 350(W) x 90(H) mm

Carton Size: 610(L) x 400(W) x 100(H) mm $\approx 0.0244 \text{ m}^3$

24.02(L) x 15.75(W) x 3.94(H) inch $\approx 0.86 \text{ ft}^3$

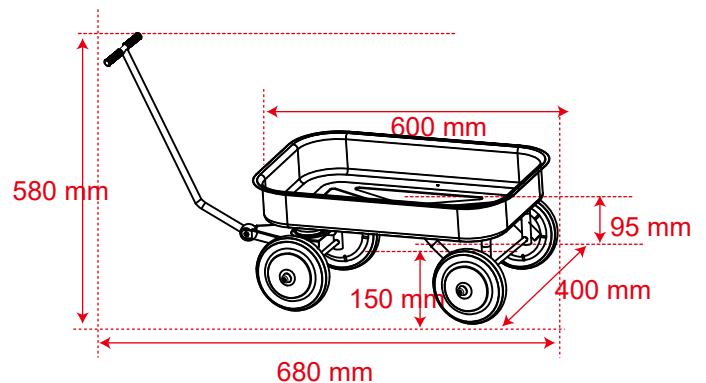
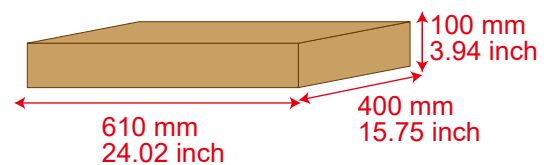
Net Weight: 4.5 KGS

Loading Weight: 20 KGS

Loading Volume: 17.60 L

Case Pack: 1 PC per CTN

Age: 3+



Available Models



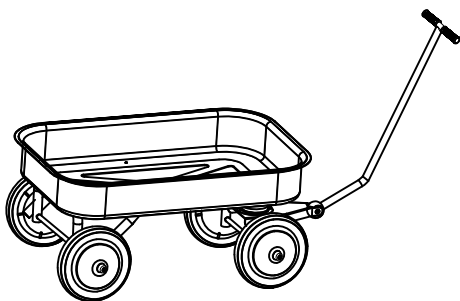
NT7001010



NT7001030



NT7001040



**Customised Designs
Are Welcome**