



Item No.: NT6001

Description: Kids Steel Wheelbarrow

Dimension: 640(L) x 308(W) x 300(H) mm

25.20(L) x 12.13(W) x 11.81(H) inch

Tray Size: 430(L) x 308(W) x 105(H) mm

Carton Size: 640(L) x 475(W) x 440(H) mm $\approx 0.1338 \text{ m}^3$

25.20(L) x 18.70(W) x 17.32(H) inch $\approx 4.83 \text{ ft}^3$

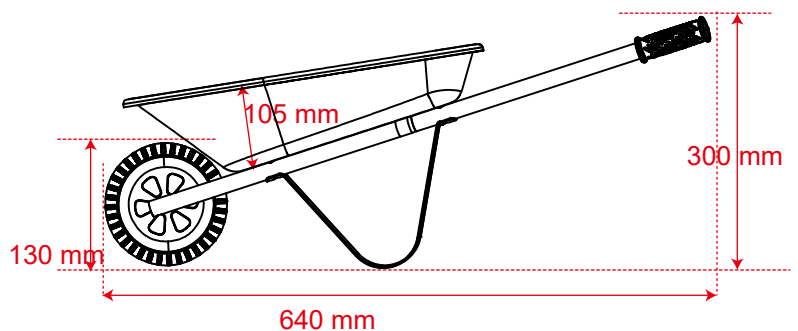
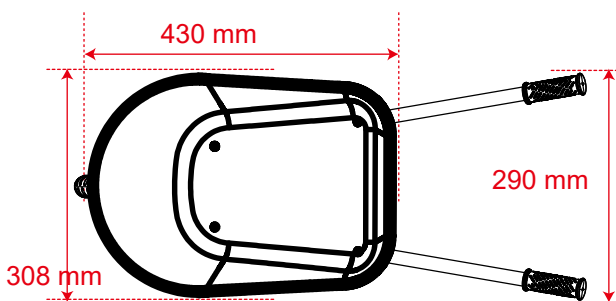
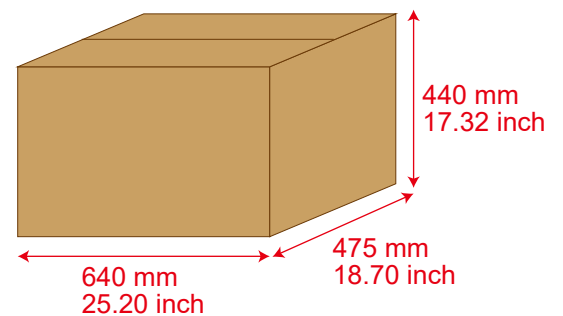
Net Weight: 2.0 KGS

Loading Weight: 15 KGS

Loading Volume: 6.18 L

Case Pack: 8 PCS per CTN

Age: 3+



Available Models



NT6001010



NT6001030



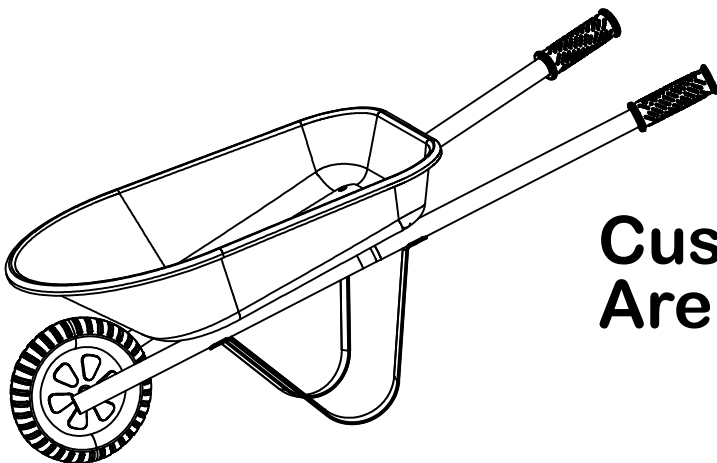
NT6001040



NT6001070



NT6001140



**Customised Designs
Are Welcome**